

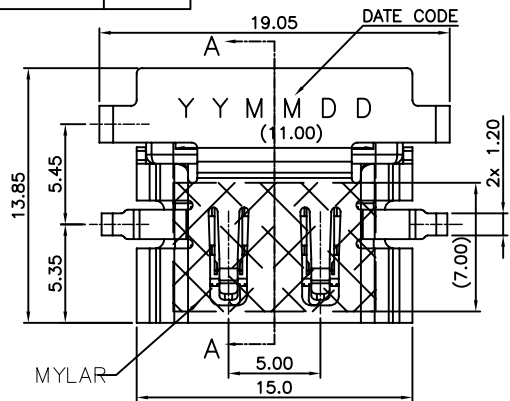
重点尺寸 (M) CPK 管控 (C) 装配尺寸 (A) 修改版次 (XX)

THESE DRAWINGS AND SPECIFICATIONS ARE THE PROPERTY OF POWERCENTER TECHNOLOGY LIMITED, AND SHALL NOT BE REPRODUCED COPIED OR USED IN ANY MANNER WITHOUT THE PRIOR WRITTEN CONSENT OF POWERCENTER TECHNOLOGY LIMITED

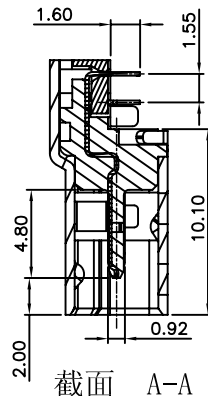
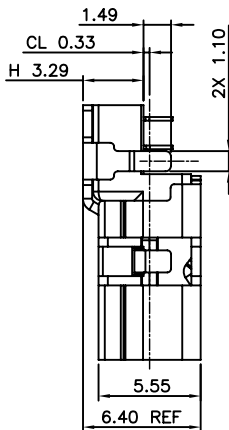
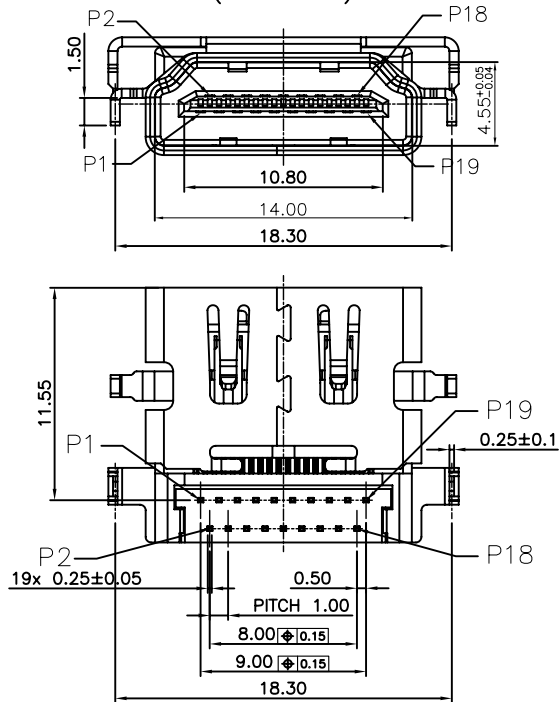
文件分发
生产业务
品质QA
IQC
生技
车床
立磨
固磨
加工
冲床
资料
工模
工程
IPQC
仓库



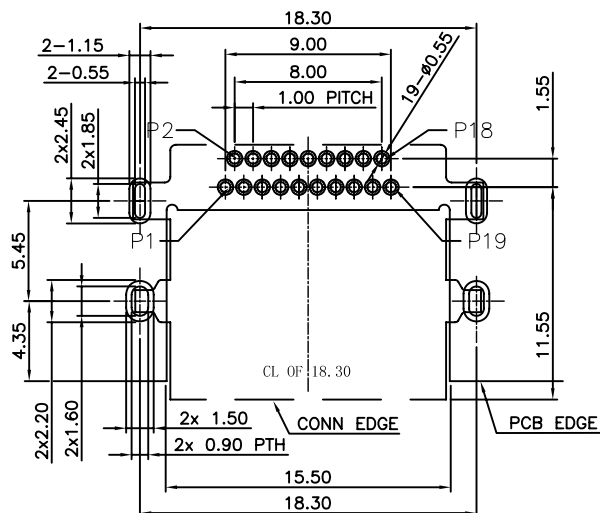
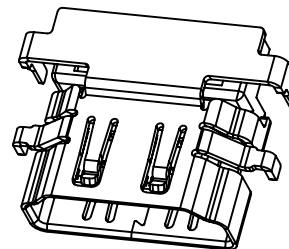
RoHS Compliant HSF
2013/95/EC



(TOP VIEW)



截面 A-A



TOLERANCE: ±0.05, THICKNESS: 1.2mm
RECOMMENDED PCB LAYOUT

(TOP VIEW)
KEEP OUT AREA

PIN #	SIGNAL ASSIGNMENT	PIN #	SIGNAL ASSIGNMENT	MATING SEQUENCE
1	TMD5 Data2+	2	TMD5 Data2 Shield	THIRD PIN18 (+5V POWER)
3	TMD5 Data2-	4	TMD5 Data1+	
5	TMD5 Data1 Shield	6	TMD5 Data-	
7	TMD5 Data0+	8	TMD5 Data0 Shield	SECOND PIN 17 PIN 19
9	TMD5 Data0-	10	TMD5 Clock+	
11	TMD5 Clock Shield	12	TMD5 Clock-	
13	CEC	14	Utility	
15	SCL	16	SDA	
17	DDC/CEC Ground	18	+5V Power	
19	Hot Plug Detect			
SHELL	SHIELD			FIRST MAKE

NOTE:

- MATERIAL:
 - INSULATOR: HIGH TEMPERATURE PLASTIC UL 94 V-0; BLACK
 - CONTACT: COPPER ALLOY (T=0.20mm)
 - SHELL: BRASS (T=0.50mm)
- ELECTRICAL CHARACTERISTICS:
 - CONTACT RESISTANCE: 30mΩ Max
 - CONTACT CURRENT RATING: 0.5A 40 V
 - DIELECTRIC WITHSTANDING VOLTAGE: 500 V AC FOR 1 MINUTE
 - INSULATION RESISTANCE 100 MΩ Min 500 V DC.
 - OPERATING TEMPERATURE: -40° C ~ 85° C
- MECHANICAL CHARACTERISTICS:
 - MATING FORCE: 4.5 KgF Max
 - UNMATED FORCE: 1.0~4.0 KgF AFTER 10000 CYCLES LIFE TEST
- PLATING:
 - TERMINAL CONTACT: (SEE TAB) GOLD PLATING ALL OVER 50u" MIN NICKEL AND 80u" MIN Tin ALL OVER 50u" MIN NICKEL ON SOLDER AREA
 - SHELL: 50u" MIN. NICKEL ALL OVER
- FOR REFLOW SOLDERING LEAD-FREE PROCESS
- PART NUMBER: 1161-32X07-20A

1: G/F	1: Tray
2: 5u"	2: Tape reel
3: 10u"	
4: 15u"	
5: 30u"	

TOLERANCES UNLESS OTHERWISE SPECIFIED	
X.	±0.50
X.X	±0.38
X.XX	±0.20
X.XXX	±0.10
ANGEL	±2°

PowerCenter 力源科技(香港)有限公司
力源科技力源电子 力源电子科技有限公司
POWERCENTER TECHNOLOGY LIMITED

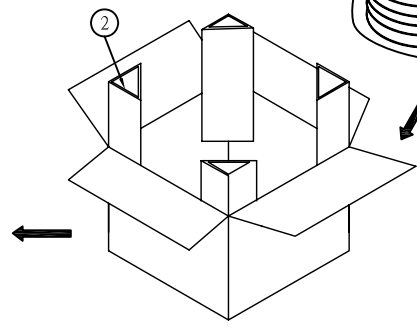
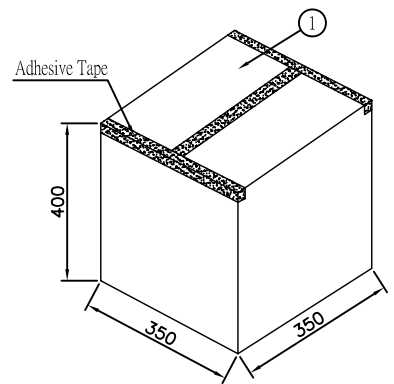
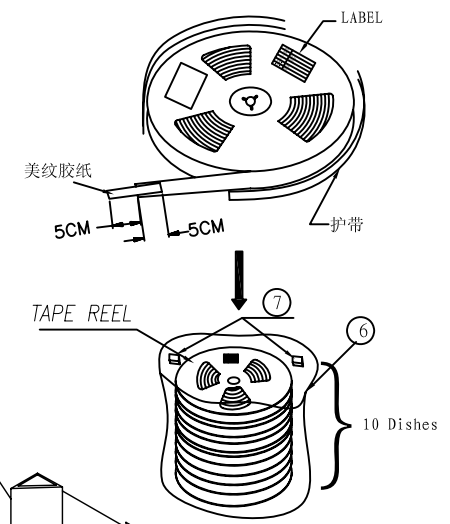
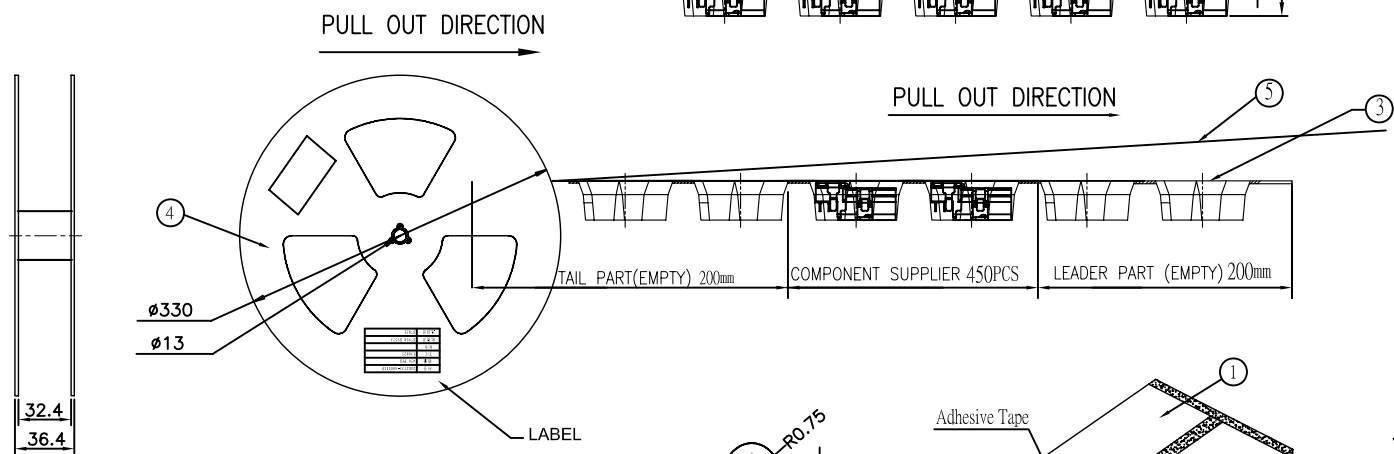
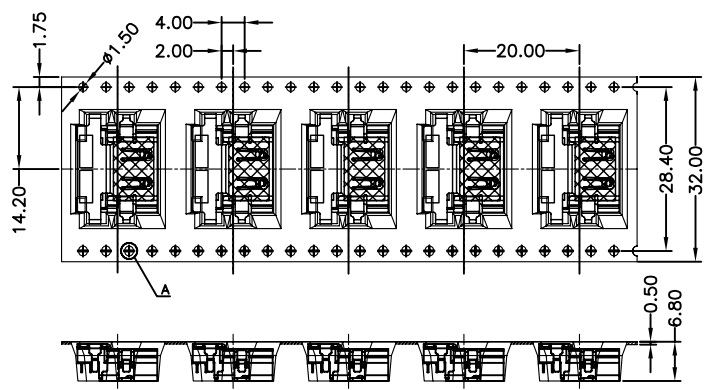
ORIGINAL DATA 2013 08 11	TITLE HDMI AF RVS CL -0.33mm L13.85mm H3.29mm DIP	PART NO. 1161-32X07-20A	SCALE 1:1	SIZE A4	UNIT MM
DWN. TANG. x. j	FINISH DC. FENG	DWG. NO. 1161-32X07-20A	SHEET REV. 1/2	A	

REV.	DESCRIPTION	ECN NO.	DWN.	CHK.	APVD.	DATE

重点尺寸 M CPK 管控 C 装配尺寸 A 修改版次 XX

文件分发
主管
业务
品保
QA
IQC
生技
注塑

Pb Process Capable
RoHS Compliant
 2013/95/EC
HSF



1. 450Pcs/dish package requirement as picture
2. 10 dishes/waterproof pag, with two dryers in it.
3. 4500Pcs/carton.package requirement as picture
4. carrier peel speed: 300mm/minutes, peel strength : 20~80g.
5. Halogen free product identification label on packaging.

450	10	4500 PCS	-- KG	-- KG
PCS/ REEL	REELS/ CARTON	QUANTITY	GROSS WEIGHT	NET WEIGHT

TOLERANCES UNLESS OTHERWISE SPECIFIED		PowerCenter 力源科技(香港)有限公司 力源科技力郡电子 力郡电子科技有限公司 POWERCENTER TECHNOLOGY LIMITED		
UNIT (MM)		ORIGINAL DATA	TITLE	
X. ±0.50		2013.8.21	HDMI AF RVS CL -0.33mm L13.85mm	
X.X ±0.30		DWN.	H3.29mm DIP	
X.XX ±0.20		Tang.x.j		
X.XXX ±0.10		CHK.	PART NO.	SCALE
ANGEL ±1'			1161-32X07-20A	1:1
3RD.ANGLE'S		APVD.	DWG NO.	SIZE
			1161-32X07-20A	A3
				SHEET
				2/2
				REV.
				A

T1	NEW DARWING	TANG	Chain	DC	2013.8.21
REV.	DESCRIPTION	ECN NO.	DWN.	CHK.	APVD.