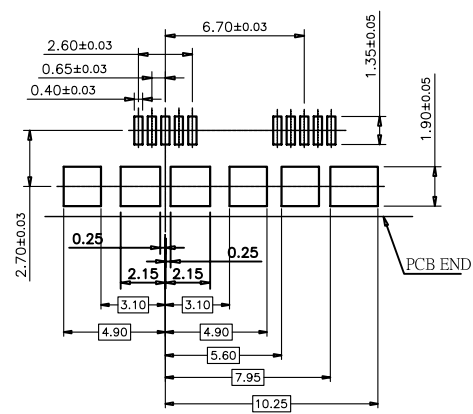
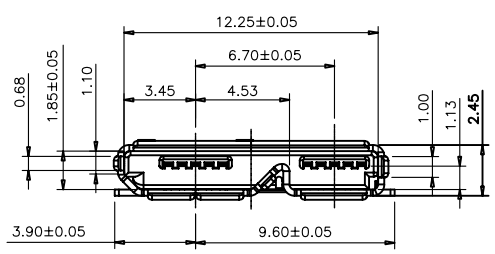
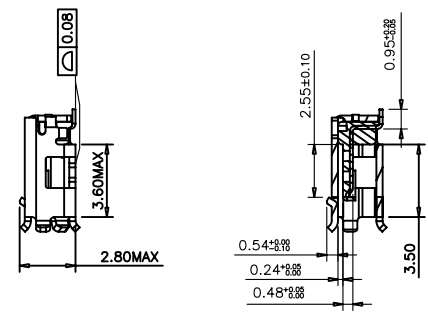
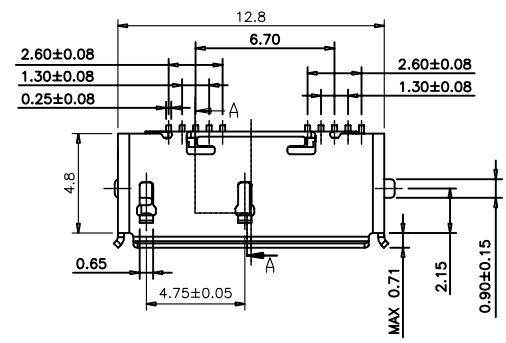


文件分发
研发
RD
设备
业务
器材
生管
采购
仓库
制造
工程
装配
冲压
注塑
品保
IQC
IPQC
QA

RoHS Compliant



RECOMMENDED PCBA LAYOUT

NOTE:

1. MATERIAL:
 - 1.1 INSULATOR: HIGH TEMPERATURE PLASTIC UL 94 V-0
 - 1.2 CONTACT: COPPER ALLOY (T=0.20mm)
 - 1.3 SHELL: SUS 304 (T=0.30mm)
2. ELECTRICAL CHARACTERISTICS:
 - 2.1 CONTACT RESISTANCE: 30mΩ Max
 - 2.2 CONTACT CURRENT RATING: 1.5A
 - 2.3 DIELECTRIC WITHSTANDING VOLTAGE: 500 V R.M.S.
 - 2.4 INSULATION RESISTANCE 1000 MΩ Min
 - 2.5 OPERATING TEMPERATURE: -55° C ~ 85° C
3. MECHANICAL CHARACTERISTICS:
 - 3.1 MATING FORCE: 35 N Max
 - 3.2 UNMATED FORCE: 10 N Min FOR INITIAL; 8 N Min AFTER LIFE TEST.
 - 3.3 DURABILITY: MANDATORY: 5,000 CYCLES
4. PLATING
 - 4.1 TERMINAL CONTACT: (Min) 0.05μm Au + (Min) 0.75μm Ni-Pd ALL OVER 50u" Min NICKEL AND 80u" Min Tin ALL OVER 50u" Min NICKEL ON SOLDER AREA
 - 4.2 SHELL: 80u" Min. NICKEL OVER 20u" Min COPPER
5. PART No.

1181-11X10-X3A

PLATING: 1; G/F; 2; 5"; 3: 10"; 4; 15"; 5: 30"

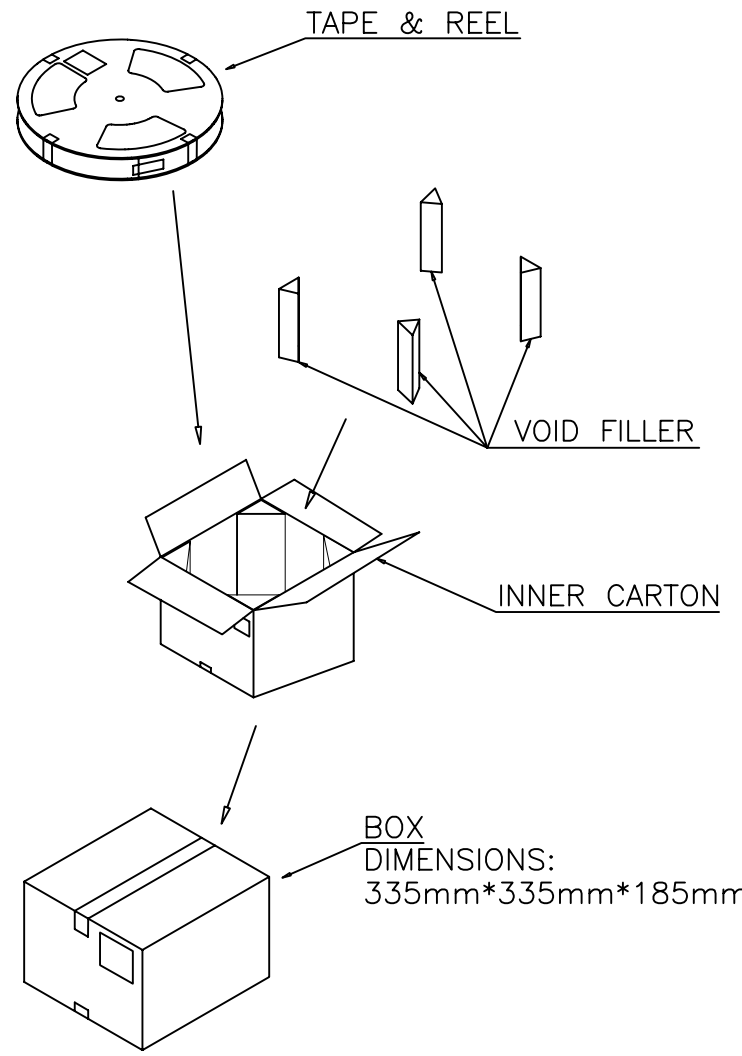
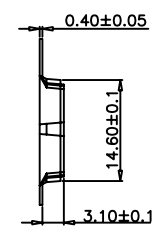
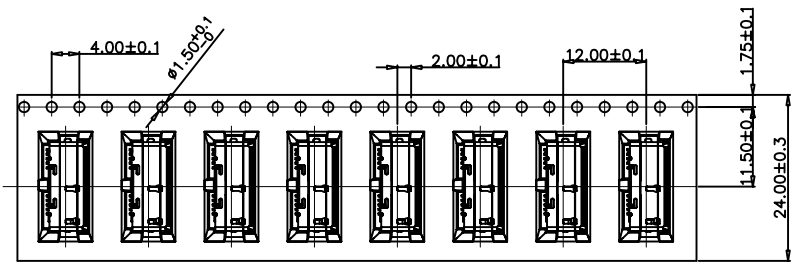
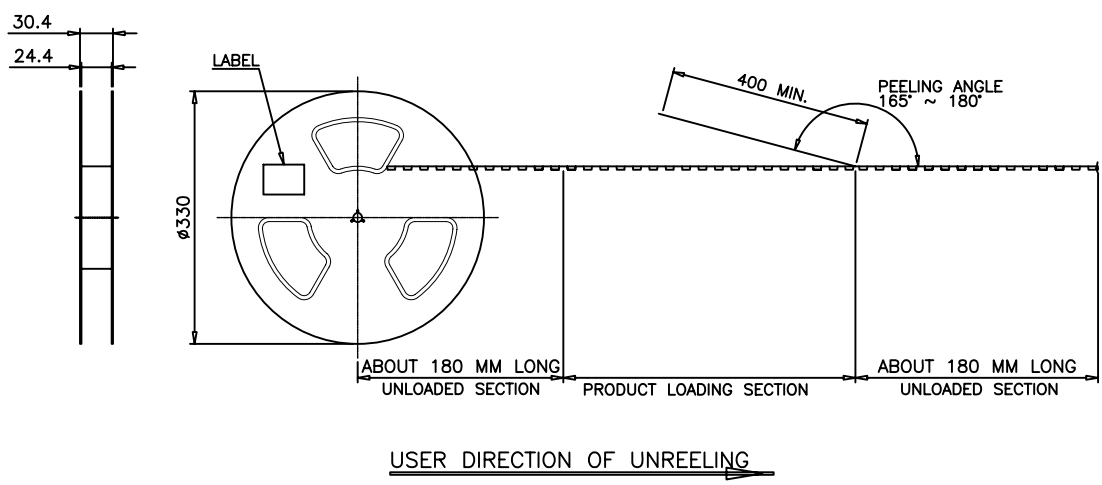
PACKING CODE: 1; TARY; 2; TAPE REAL

Pin #	SIGNAL NAME
1	VBUS
2	D-
3	D+
4	GND
5	StdA_SSRX-
6	StdA_SSRX+
7	GND_DRAIN
8	StdA_SSTX-
9	StdA_SSTX+
Shell	Shield

REV.	DESCRIPTION	ECN NO.	DWN.	CHK.	APVD.	DATE	TOLERANCES UNLESS OTHERWISE SPECIFIED	PowerCenter 力源科技(香港)有限公司 力源科技力郡电子 力郡电子科技有限公司 POWERCENTER TECHNOLOGY LIMITED				
							X. ±0.20 X.X ±0.15 X.XX ±0.10 X.XXX ±0.05 ANGEL ±1°	ORIGINAL DATA 2010.09.30	TITLE MicroUSB 3.0 Female stand B type SMT			
							MATERIAL SEE NOTES	DWN. Leo.Lu	PART NO. 1181-11X10-X3A	SCALE	SIZE A4	UNIT MM
							FINISH SEE NOTES	CHK. DC.Feng	DWG. NO. 1181-11X10-X3A	SHEET REV. / A		
								APVD. Chain				

文件分发
研发
RD
设备
业务
业务
器材
生管
采购
仓库
制造
工程
装配
冲压
注塑
品保
IQC
IPQC
QA

RoHS Compliant



Notes:

1. 1个卷盘放置1500个产品;
2. 然后再卷一圈保护带, 保护带最后重叠约50MM, 用皱纹胶纸将其封住;
3. 每个卷盘上贴一张物料标签;
4. 每6卷盘装入1个PE袋中, 再将PE袋放置在纸箱内。
5. 外箱外侧图示位置需贴一张物料标签。

1500	6	9000	KG	KG
PCS/REEL	REELS/CARTON	QUANTITY	GROSS WEIGHT	NET WEIGHT

TOLERANCES UNLESS OTHERWISE SPECIFIED X. ±0.20 X.X ±0.15 X.XX ±0.10 X.XXX ±0.05 ANGLE ±1°	PowerCenter 力源科技(香港)有限公司 力源科技力郡电子 POWERCENTER TECHNOLOGY LIMITED	
	ORIGINAL DATA 2010.09.30	TITLE Micro USB 3.0 Female Stand B/AB type SMT PACKING
	DWN. Leo.Lu	PART NO. 1181-11X10-X3A
	MATERIAL SEE NOTES	SCALE A4
FINISH SEE NOTES	APVD. DC.Feng Chain	DWG. NO. 1181-11X10-X3A
		SHEET REV. / A

REV.	DESCRIPTION	ECN NO.	DWN.	CHK.	APVD.	DATE