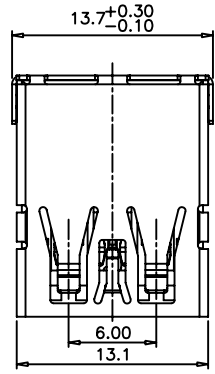


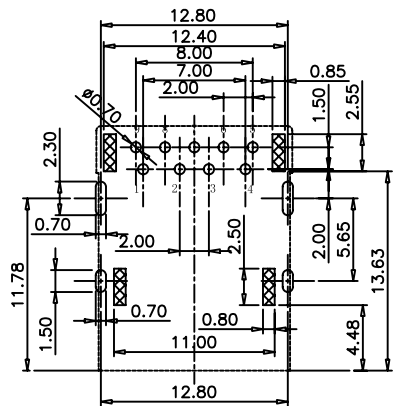
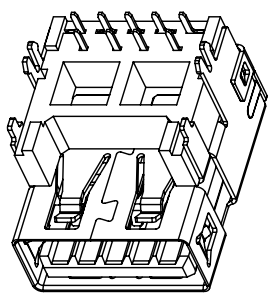
文件 分发 主管 业务 品保 QA IQC 生技 注塑 加工 冲压 物料 工程 仓库 IPQC

RoHS Compliant HSF 2013/95/EC

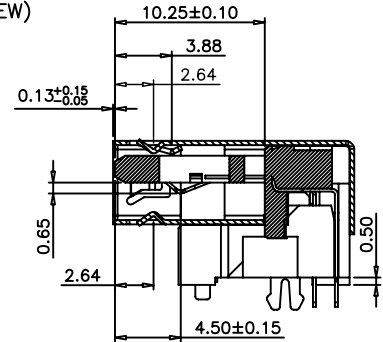
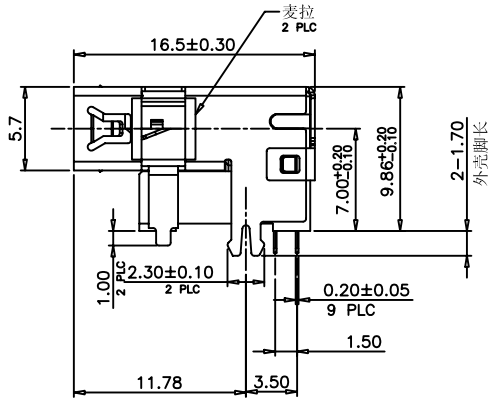
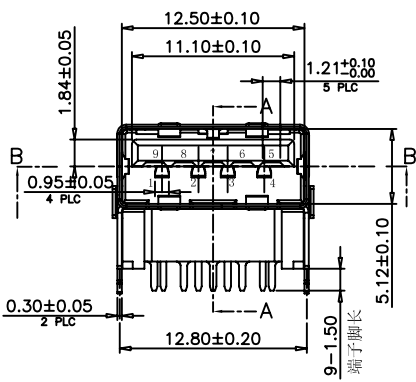
Pin #	SIGNAL NAME	DESCRIPTION	MATING SEQUENCE
1	VBUS	POWER	SECOND
2	D-	USB 2.0 DIFFERENTIAL PAIR	THIRD
3	D+		
4	GND	GROUND FOR POWER RETURN	SECOND
5	StdA_SSRX-	SUPER SPEED RECEIVER DIFFERENTIAL PAIR	LAST
6	StdA_SSRX+		
7	GND_DRAIN	GROUND FOR SIGNAL RETURN	
8	StdA_SSTX-	SUPER SPEED TRANSMITTER DIFFERENTIAL PAIR	
9	StdA_SSTX+		
Shell	Shield	CONNECTOR METAL SHELL	FRIST



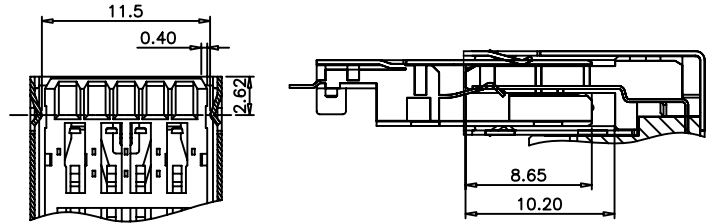
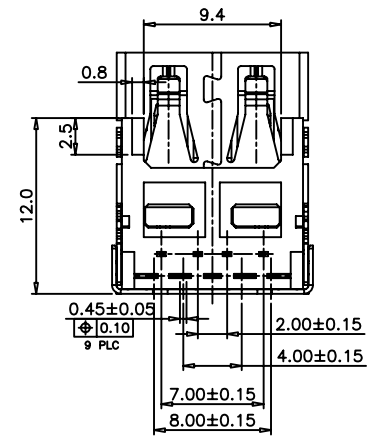
(TOP VIEW)



STAND OFF AREA
TOLERANCE: ±0.05, THICKNESS: 1.2mm
RECOMMENDED PCB LAYOUT (TOP VIEW)



SECTION A-A



SECTION B-B

NOTE:
1. MATERIAL:
1.1 INSULATOR: PA9T UL 94 V-0; BLUE
1.2 CONTACT: C5210-EH (T=0.20mm)
1.3 SHELL: SUS201 (T=0.30mm)
2. ELECTRICAL CHARACTERISTICS:
2.1 CONTACT RESISTANCE: 30mΩ Max
2.2 CONTACT CURRENT RATING: 1.5A
2.3 DIELECTRIC WITHSTANDING VOLTAGE: 500 V R.M.S.
2.4 INSULATION RESISTANCE 100 MEGOHMS Min
2.5 OPERATING TEMPERATURE: -40° C ~ 85° C
3. MECHANICAL CHARACTERISTICS:
3.1 MATING FORCE: 35 N Max
3.2 UNMATED FORCE: 10 N Min INITIAL; 8 N Min AFTER TEST
3.3 DURABILITY: 5,000 CYCLES
4. PLATING
4.1 TERMINAL CONTACT: (SEE TAB) GOLD PLATING ALL OVER 50u" MIN NICKEL AND 80u" MIN Tin ALL OVER 50u" MIN NICKEL ON SOLDER AREA
4.2 SHELL: 50u" MIN. NICKEL ALL OVER
5. PART NUMBER:

1181-12X17-X3A

- 1: G/F
 - 2: 5u"
 - 3: 10u"
 - 4: 15u"
 - 5: 30u"
- 1: Tray
 - 2: Tape reel

TOLERANCES UNLESS OTHERWISE SPECIFIED

X.	±0.50
X.X	±0.30
X.XX	±0.20
X.XXX	±0.10
ANGEL	±2°
UNIT	(MM)
3RD. ANGLE'S	

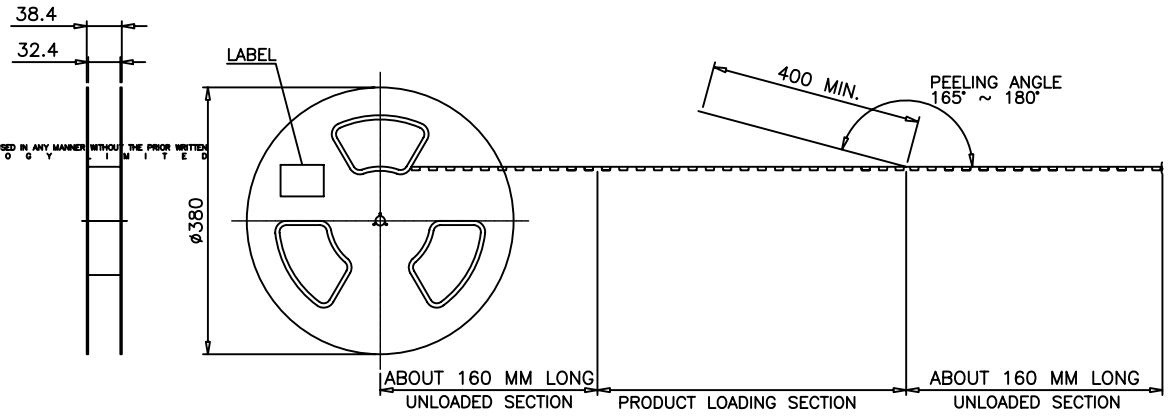
PowerCenter 力源科技 (香港) 有限公司
力源科技力郡电子 力郡电子科技有限公司
POWERCENTER TECHNOLOGY LIMITED

ORIGINAL DATA 2013.03.19	TITLE USB 3.0 RECEPTAL RIGHT ANGLE 9.86H CL=7.00mm STAND DIP TYPE
DWN. LIZHIZHU	
CHK.	PART NO. 1181-12X17-23A
APVD.	DWG NO. 1181-12X17-23A
	SCALE 1:1
	SIZE A4
	SHEET 1/2
	REV. A

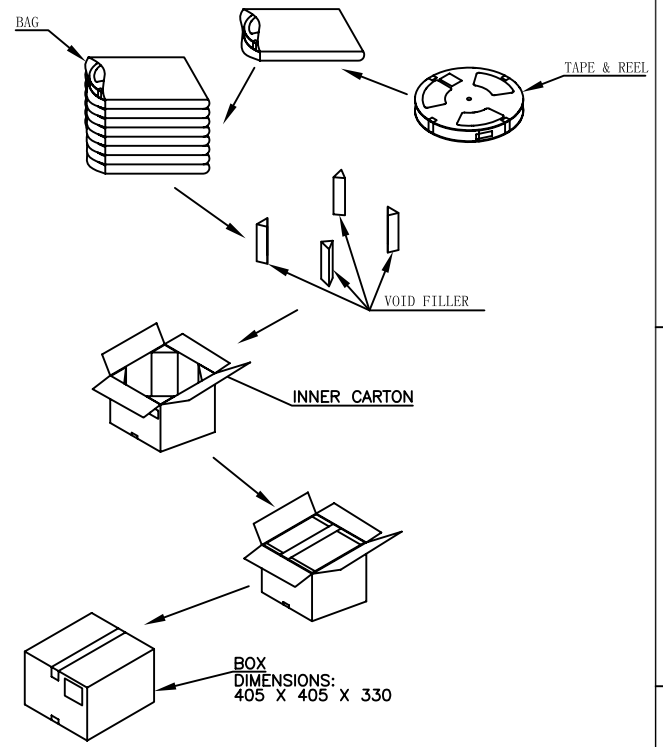
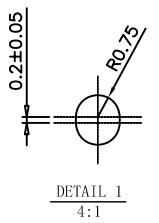
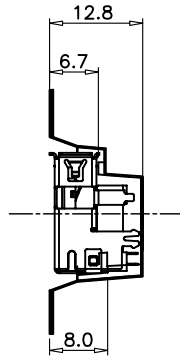
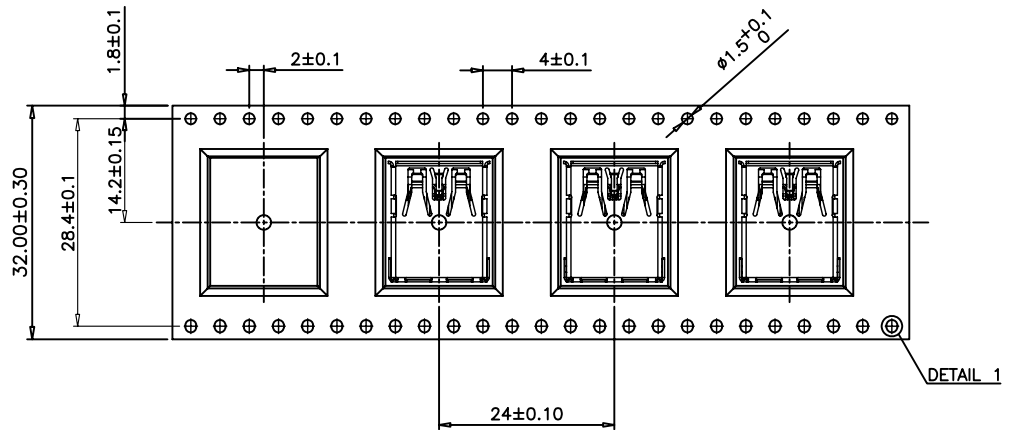
A	NEW DARWING		LIZHIZHU	Chain	DC	2013.03.19
REV.	DESCRIPTION	ECN NO.	DWN.	CHK.	APVD.	DATE

文件分发	RoHS Compliant	HSF
业务	2013/95/EC	
品保		
QA		
IQC		
生技		
注塑		
加工		
冲压		
物料		
制程		
仓库		
IPQC		

COPIED OR USED IN ANY MANNER WITHOUT THE PRIOR WRITTEN CONSENT OF POWERCENTER TECHNOLOGY LIMITED



USER DIRECTION OF UNREELING →



NOTE:

- MATERIAL:
BOX: FIBREBOARD, CORRUGATED, DOUBLE WALL.
TAPE: POLYSTYRENES, HEAT-RESISTANT TEMPERATURE: 120°C, BLACK COLOR.
REEL: POLYSTYRENES, HEAT-RESISTANT TEMPERATURE: 70°C, BLUE COLOR.
BAG: POLYETHYLENE, HEAT-RESISTANT TEMPERATURE: 100°C.
- PEELING STRENGTH: 0.1 ~ 1.3 N (10 ~ 130 GRAMS)
- PEELING SPEED: 300 mm/min.
- EACH BAG SHALL BE INCLUDED DESICCANT.

TOLERANCES UNLESS OTHERWISE SPECIFIED	
UNIT (MM)	
X.	±0.15
X.X	±0.10
X.XX	±0.05
X.XXX	±0.03
ANGEL	±1'
3RD. ANGLE'S	

PowerCenter 力源科技 (香港) 有限公司 力源科技力郡电子 力郡电子科技有限公司 POWERCENTER TECHNOLOGY LIMITED	
ORIGINAL DATA 2013.03.19	TITLE USB 3.0 RECEPTAL RIGHT ANGLE 9.86H CL=7.00mm STAND DIP TYPE
DWN. LIZHIZHU	
CHK.	PART NO. 1181-12X17-23A
APVD.	DWG NO. 1181-12X17-23A
	SCALE 1:1
	SIZE A4
	SHEET 1/2
	REV. A

REV.	DESCRIPTION	ECN NO.	DWN.	CHK.	APVD.	DATE
A	NEW DARWING		LIZHIZHU	Chain	DC	2013.03.19