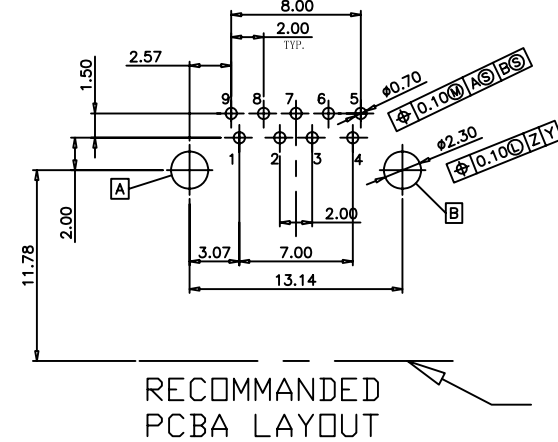
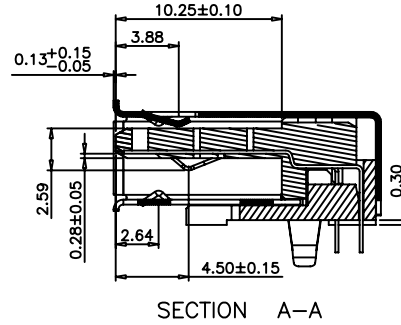
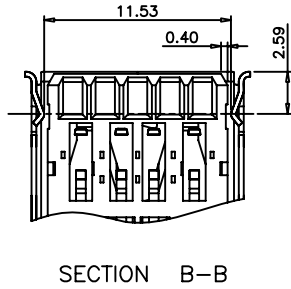
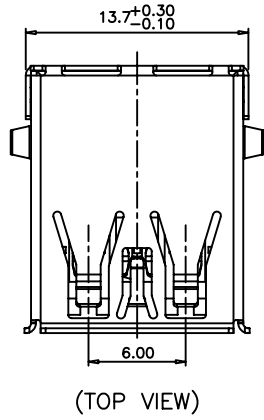


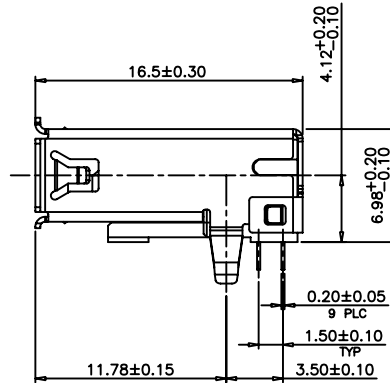
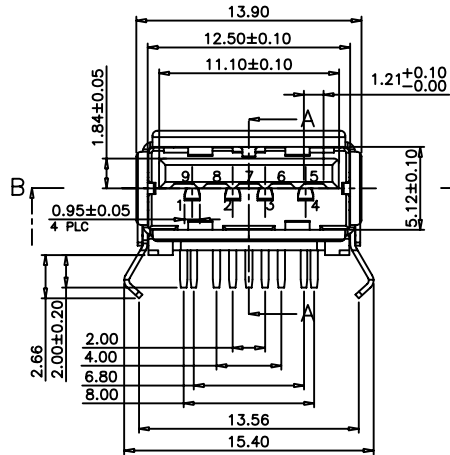
文件分发
研发
文管
RD
设备
业务
器材
生管
采购
仓库
制造
工程
装配
冲压
注塑
品保
IQC
IPQC
QA

RoHS Compliant

| Pin # | SIGNAL NAME |
|-------|-------------|
| 1 | VBUS |
| 2 | D- |
| 3 | D+ |
| 4 | GND |
| 5 | StdA_SSRX- |
| 6 | StdA_SSRX+ |
| 7 | GND_DRAIN |
| 8 | StdA_SSTX- |
| 9 | StdA_SSTX+ |
| Shell | Shield |



CONNECTOR FRONT EDGE

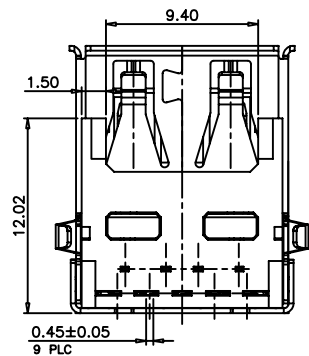


NOTE:

- MATERIAL:
 - INSULATOR: LCP E130i UL 94 V-0; BLUE
 - CONTACT: C5210-EH (T=0.20mm)
 - SHELL: SUS201 (T=0.30mm)
- ELECTRICAL CHARACTERISTICS:
 - CONTACT RESISTANCE: 30mΩ Max
 - CONTACT CURRENT RATING: 2.4A
 - DIELECTRIC WITHSTANDING VOLTAGE: 500 V R.M.S.
 - INSULATION RESISTANCE: 100 MEGOHMS Min
 - OPERATING TEMPERATURE: -55° C ~ 85° C
- MECHANICAL CHARACTERISTICS:
 - MATING FORCE: 35 N Max
 - UNMATED FORCE: 10 N Min INITIAL; 8 N Min AFTER TEST
 - DURABILITY: 5,000 CYCLES
- PLATING
 - TERMINAL CONTACT: (SEE TAB) GOLD PLATING ALL OVER 50u" MIN NICKEL AND 80u" MIN Tin ALL OVER 50u" MIN NICKEL ON SOLDER AREA
 - SHELL: 80u" MIN. NICKEL ALL OVER

5. PART NUMBER RULE
1181-12XXX-13A

CONTACT AREA PLATING CODE
1: G/F
2: 5u"
3: 10u"
4: 15u"
5: 30u"

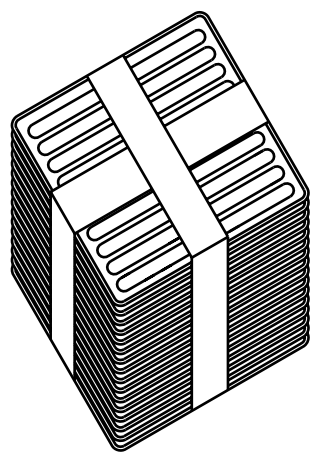


| REV. | DESCRIPTION | ECN NO. | DWN. | CHK. | APVD. | DATE |
|------|-------------|---------|--------|---------|-------|------------|
| A | RELEASE | | Leo.Lu | DC.FENG | CHAIN | 2011.05.27 |

| TOLERANCES UNLESS OTHERWISE SPECIFIED | |
|---------------------------------------|--------|
| X. | ±0.50 |
| X.X | ±0.30 |
| X.XX | ±0.20 |
| X.XXX | ±0.10 |
| ANGEL ±2° | |
| MATERIAL | |
| CHK. | Leo.Lu |
| FINISH | |
| APVD. | |

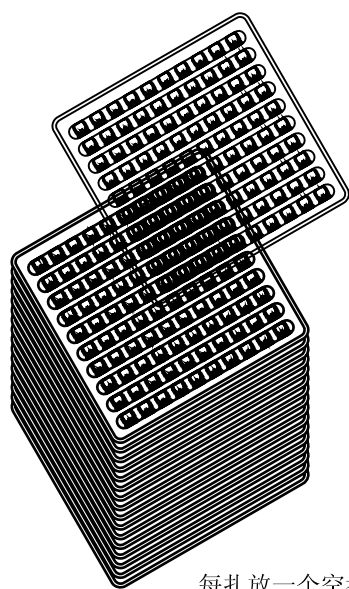
| | |
|--|--|
| PowerCenter 力源科技 (香港) 有限公司 力源科技力郡电子 POWERCENTER TECHNOLOGY LIMITED | |
| ORIGINAL DATA 2011.05.26 DWN. Leo.Lu CHK. | TITLE USB 3.0 RECEPTAL RIGHT ANGLE 6.98H CL=4.12mm STAND DIP |
| PART NO. 1181-12227-13A | SCALE 1:1 |
| DWG. NO. 1181-12227-13A | SHEET REV. 1/1 A |

(板上青蛙脚)
 (板上鱼叉脚)
 (板下青蛙脚)
 (板下鱼叉脚)



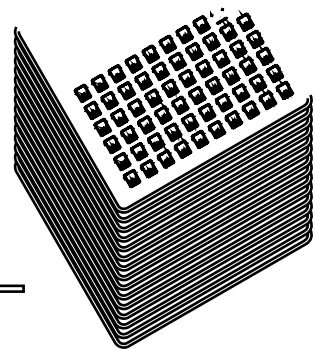
每扎用PE胶袋缠好

④



每扎放一个空盘

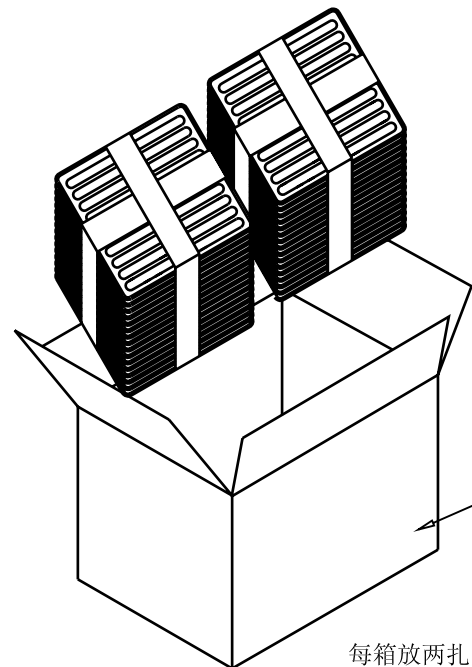
③



每15盘放一扎

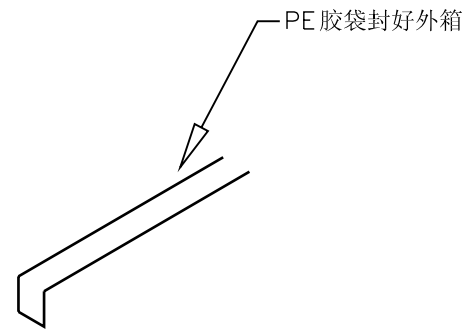
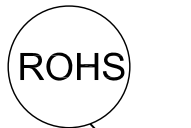
②

①



每箱放两扎 ⑤

BOX DIMENSIONS:
53*27.5*20



⑥

Notes:

1. 包装规范适用于所有标准品3.0 (板上青蛙脚, 板上鱼叉脚, 板下青蛙脚, 板下鱼叉脚)。
2. 把产品放置于TRAY中, 每TRAY放置100个, 如图1
3. 15盘为一扎, 如图2, 再上面盖一个空盘以PE膜缠绕, 如图3, 图4
4. 每个CARTON装两扎共3000PCS产品, 上下各放置一块纸板.
5. 每CARTON外侧以胶带封口. 在CARTON外侧图示位置贴环保标签与产品标识标签, 如图6

外箱标识标签贴纸

PE胶袋封好外箱