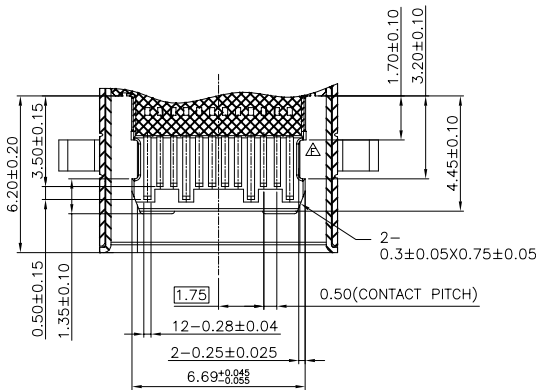
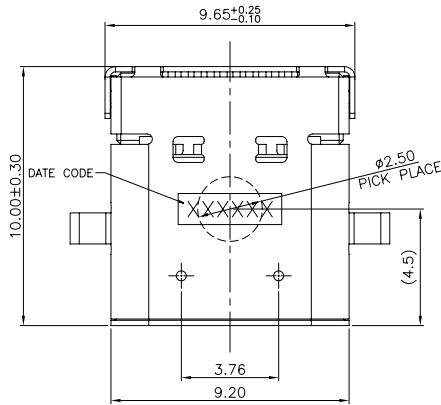


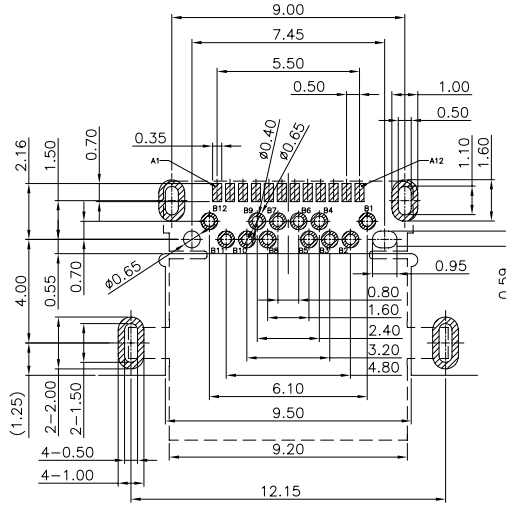
文件分发  
生产  
业务  
品质  
QA  
IQC  
生技  
注塑  
加工  
冲压  
资材  
工程  
仓库  
IPQC



**RoHS Compliant HSF**  
2013/95/EC

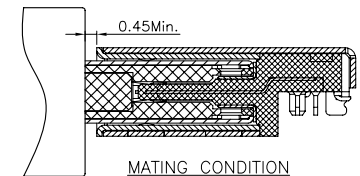


SECTION B-B

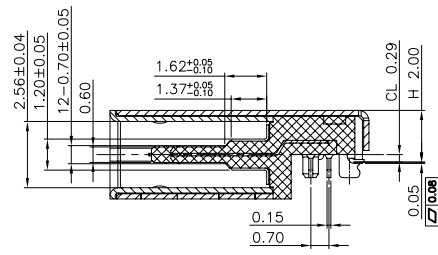
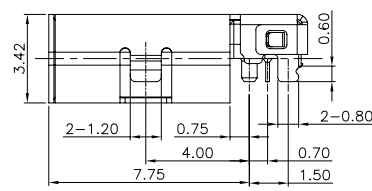
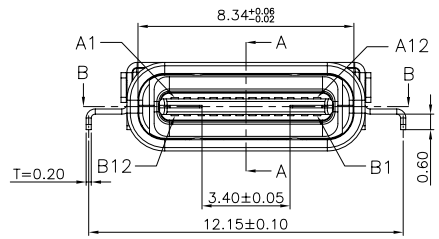


RECOMMEND P.C.B LAYOUT (COMPONENT SIDE)  
TOLERANCE FOR PCB LAYOUT IS ± 0.05  
KEEP OUT AREA

Pin	Signal Name	Mating Sequence	Pin	Signal Name	Mating Sequence
A1	GND	First	B12	GND	First
A2	SSTXp1	Second	B11	SSRXp1	Second
A3	SSTXn1	Second	B10	SSRXn1	Second
A4	V <sub>BUS</sub>	First	B9	V <sub>BUS</sub>	First
A5	CC1	Second	B8	SBU2	Second
A6	Dp1	Second	B7	Dn2	Second
A7	Dn1	Second	B6	Dp2	Second
A8	SBU1	Second	B5	CC2	Second
A9	V <sub>BUS</sub>	First	B4	V <sub>BUS</sub>	First
A10	SSRXn2	Second	B3	SSTXn2	Second
A11	SSRXp2	Second	B2	SSTXp2	Second
A12	GND	First	B1	GND	First
SHELL	GND		SHELL	GND	

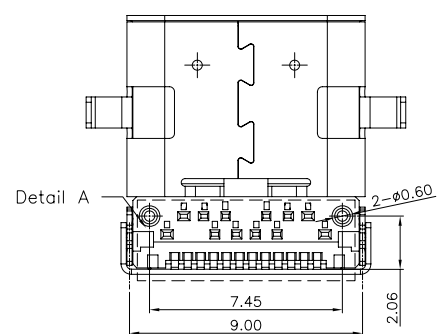
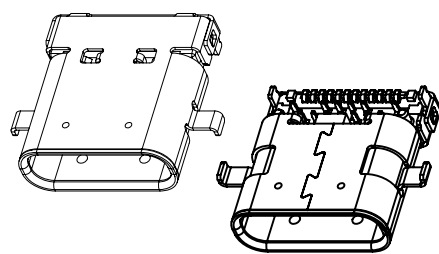
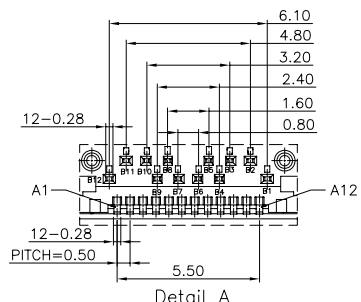


MATING CONDITION



SECTION A-A

- NOTE:
- MATERIAL:
    - INSULATOR: HIGH TEMPERATURE PLASTIC UL 94 V-0; Black Color
    - CONTACT: COPPER ALLOY(T=0.15mm)
    - SHELL: STAINLESS STEEL(T=0.20mm)
    - COVER SHELL: COPPER ALLOY(T=0.20mm)
    - INNER GROUND COVER SHELL: STAINLESS STEEL(T=0.10mm)
    - MID PLATE: STAINLESS STEEL(T=0.10mm)
  - ELECTRICAL CHARACTERISTICS:
    - CONTACT RESISTANCE: 40mΩ Max FOR INITIAL. 10mΩ CHANGE AFTER TEST. MEASURE AT 20mV, 100mA.
    - CONTACT CURRENT RATING: 5A FOR COLLECTIVELY POWER SUPPLY PIN(PIN1 A4, A9, A12, B1, B4, B9, B12); 1.25A FOR V<sub>BUS</sub> PIN; 0.25A FOR OTHER SIGNAL PIN.
    - DIELECTRIC WITHSTANDING VOLTAGE: 100V AC R.M.S.
    - INSULATION RESISTANCE: 100MΩ Min
    - OPERATING TEMPERATURE: -40°C ~ 85°C
  - MECHANICAL CHARACTERISTICS:
    - MATING FORCE: 5~20 N.
    - UNMATED FORCE: 6~20N AFTER TEST
    - DURABILITY: 10,000 CYCLES
  - PLATING:
    - TERMINAL CONTACT: (SEE TAB) GOLD PLATING ON CONTACT AREA, ALL OVER 50u" Min NICKEL AND 80u" Min Matte Tin ALL OVER 50u" Min NICKEL ON SOLDER AREA
    - SHELL: 50u" Min. NICKEL ALL OVER,
    - COVER SHELL: 80u" Min. NICKEL ALL OVER,
    - INNER GROUND COVER SHELL: 50u" Min. NICKEL ALL OVER,
    - MID PLATE: CLEAN
  - PART NUMBER: 1181-32XA8-X3A



REV.	DESCRIPTION	ECN NO.	DWN.	CHK.	APVD.	DATE
F	MODIFY THE HOUSING STRUCTURE	20160701002	Leiny	Chain	DC	2016.07.01
E	PCB LAYOUT SIZE MODIFICATION	20150810001	Leiny	Chain	DC	2015.08.10
D	ADD THE PLUG AND RECEPTACLE MATING	20150624001	Leiny	Chain	DC	2015.06.24
C	PCB LAYOUT SIZE MODIFICATION	20150515001	Leiny	Chain	DC	2015.05.15
B	NOTE PART FOR INCREASING DETAIL	20150507001	Leiny	Chain	DC	2015.05.07
A	NEW DAWNING	ECN NO.	Leiny	Chain	DC	2014.10.15

TOLERANCES UNLESS OTHERWISE SPECIFIED

UNIT	(MM)
X.	±0.50
X.X	±0.30
X.XX	±0.20
X.XXX	±0.10
ANGEL	±2°

**PowerCenter** 力源科技 (香港) 有限公司  
力源科技力源电子 力源电子科技有限公司  
POWERCENTER TECHNOLOGY LIMITED

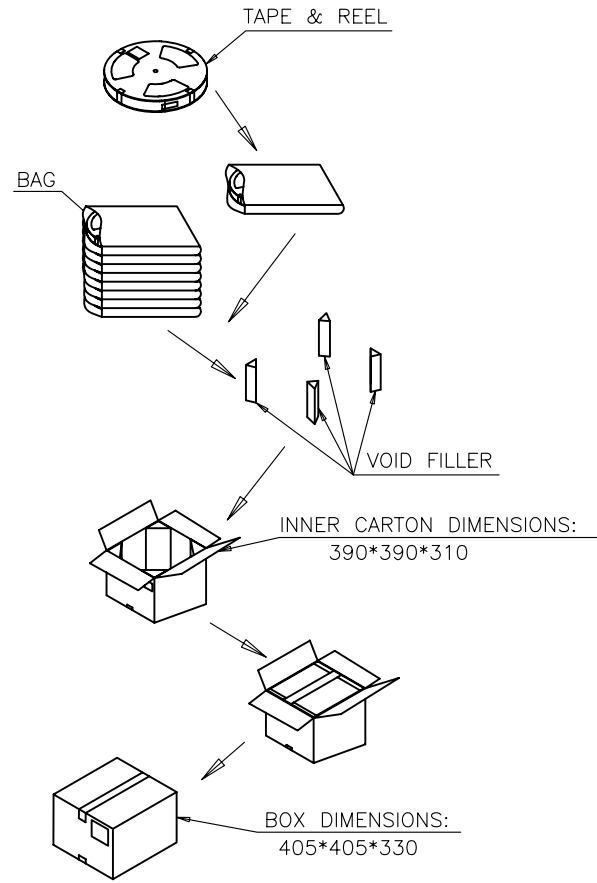
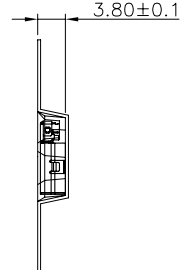
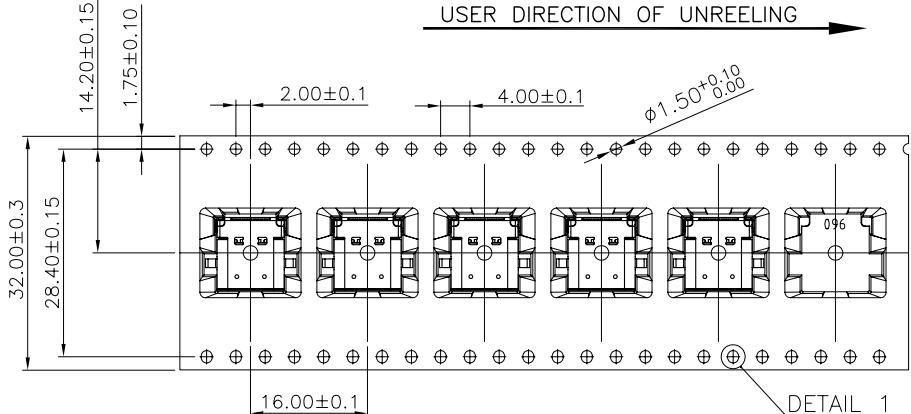
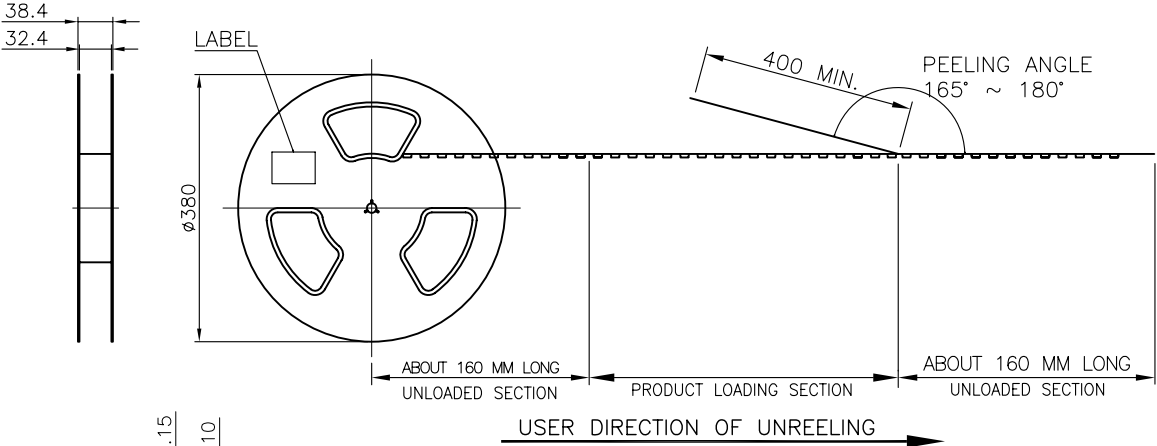
ORIGINAL DATA	TITLE
2014.10.15	USB 3.1 TYPE C FEMALE CL0.29 H2.00mm DIP TYPE
DWN. Leiny	
CHK.	PART NO. 1181-32XA8-23A
APVD.	DWG NO. 1181-321A8-23A

SCALE	SIZE	SHEET	REV.
1:1	A4	1/2	F

文件分发  
生产业务  
品质  
QA  
IQC  
生技  
注制

**RoHS Compliant** HSF  
2013/95/EC

No.	Part No.	Part Name	Q'TY	Material	Finish



NOTE:  
 1.MATERIAL:  
 BOX: FIBREBOARD, CORRUGATED, DOUBLE WALL.  
 TAPE: POLYSTYRENES, HEAT-RESISTANT TEMPERTURE: 120°C, BLACK COLOR.  
 REEL: POLYSTYRENES, HEAT-RESISTANT TEMPERTURE: 70°C, BLUE COLOR.  
 BAG: POLYETHYLENE, HEAT-RESISTANT TEMPERTURE: 100°C.

2.PEELING STRENGTH: 0.1 ~ 1.3 N (10 ~ 130 GRAMS)  
 3.PEELING SPEED: 300 mm/min.  
 4.EACH BAG SHALL BE INCLUDED DESICCANT.

REV.	DESCRIPTION	ECN NO.	DWN.	CHK.	APVD.	DATE
F	MODIFY THE HOUSING STRUCTURE	20160701002	Leiny	Chain	DC	2016.07.01
E	PCB LAYOUT SIZE MODIFICATION	20150810001	Leiny	Chain	DC	2015.08.10
D	ADD THE PLUG AND RECEPTACLE MATING	20150624001	Leiny	Chain	DC	2015.06.24
C	PCB LAYOUT SIZE MODIFICATION	20150507001	Leiny	Chain	DC	2015.05.15
B	NOTE PART FOR INCREASING DETAIL	20150507001	Leiny	Chain	DC	2015.05.07
A	NEW DARWING	ECN NO.	Leiny	Chain	DC	2014.10.15

TOLERANCES UNLESS OTHERWISE SPECIFIED

UNIT	(MM)
X	±0.50
X.X	±0.30
X.XX	±0.20
X.XXX	±0.10
ANGEL	±2'

3RD. ANGLE'S

**PowerCenter** 力源科技 (香港) 有限公司  
 力源科技力郡电子 力郡电子科技有限公司  
 POWERCENTER TECHNOLOGY LIMITED

1250 PCS/ REEL	8 REELS/ CARTON	10000 PCS QUANTITY	-- KG GROSS WEIGHT	-- KG NET WEIGHT
----------------	-----------------	--------------------	--------------------	------------------

ORIGINAL DATA	TITLE
2015.08.10	USB 3.1 TYPE C FEMALE CLO.29 H2.00mm DIP TYPE
DWN. Leiny	
CHK.	PART NO. 1181-32XA8-23A
APVD.	DWG NO. 1181-321A8-23A

SCALE 1:1	SIZE A3
SHEET 2/2	REV. E