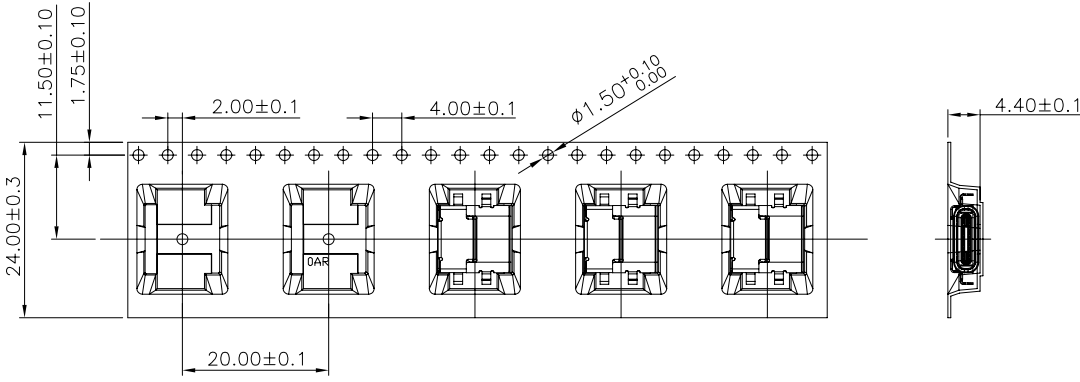
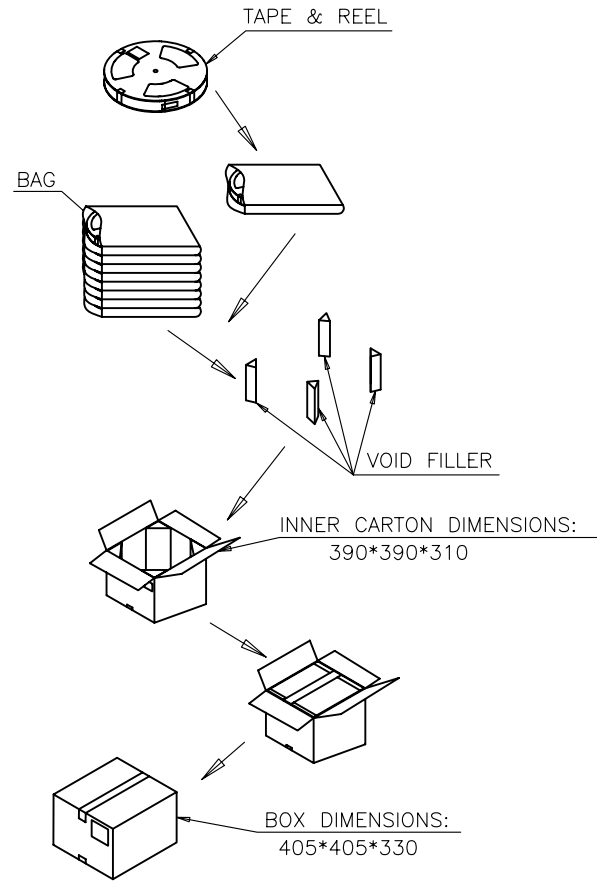
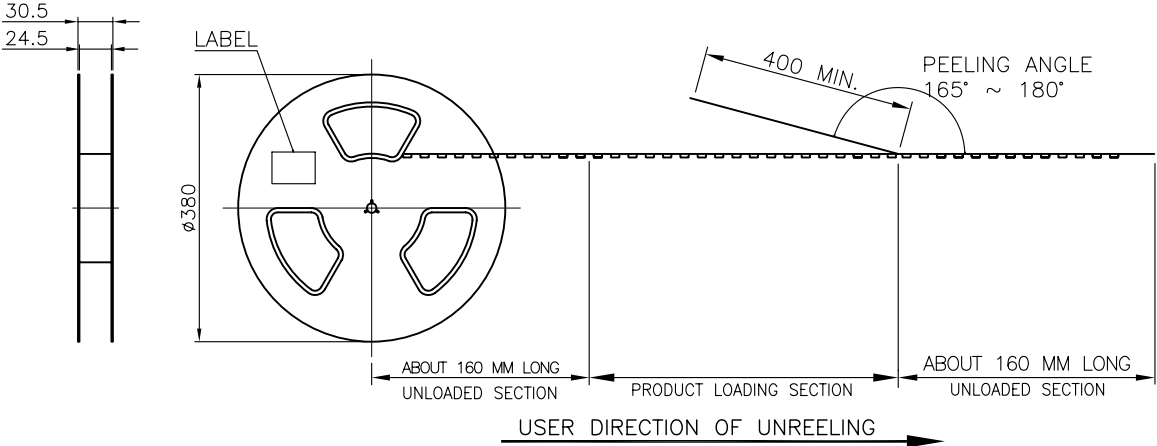


文件分发
 主管
 业务
 品保
 QA
 IQC
 生技
 注册

RoHS Compliant HSF
 2013/95/EC
 Process Capable

No.	Part No.	Part Name	Q'TY	Material	Finish



NOTE:

- MATERIAL:
 BOX: FIBREBOARD, CORRUGATED, DOUBLE WALL.
 TAPE: POLYSTYRENES, HEAT-RESISTANT TEMPERATURE: 120°C, BLACK COLOR.
 REEL: POLYSTYRENES, HEAT-RESISTANT TEMPERATURE: 70°C, BLUE COLOR.
 BAG: POLYETHYLENE, HEAT-RESISTANT TEMPERATURE: 100°C.
- PEELING STRENGTH: 0.1 ~ 1.3 N (10 ~ 130 GRAMS)
- PEELING SPEED: 300 mm/min.
- EACH BAG SHALL BE INCLUDED DESICCANT.

1000 PCS/ REEL	11 REELS/ CARTON	11000 PCS QUANTITY	-- KG GROSS WEIGHT	-- KG NET WEIGHT

PowerCenter 力源科技 (香港) 有限公司
 力源科技力郡电子 力郡电子科技有限公司
 POWERCENTER TECHNOLOGY LIMITED

TOLERANCES UNLESS OTHERWISE SPECIFIED
 UNIT (MM)
 X: ±0.20
 X.X ±0.15
 X.XX ±0.10
 X.XXX ±0.05
 ANGEL ±1°
 3RD. ANGLE'S

ORIGINAL DATA 2015.11.04	TITLE USB 3.1 C TYPE Female CL-0.50 H1.65mm DIP TYPE		
DWN. Leiny	PART NO. 1186-32XXX-23A	SCALE 1:1	SIZE A3
CHK.	DWG NO. 1186-32XXX-23A	SHEET 2/2	REV. A
APVD.			

REV.	DESCRIPTION	ECN NO.	DWN.	CHK.	APVD.	DATE
A	NEW DARWING		Leiny	Chain	DC	2015.11.04